

TOMCAT[®]

PRO

24" - 28" Scrubbers



SCRUBBERS SWEEPERS BURNISHERS CARPET CARE FLOOR MACHINES



KEY FEATURES

APPLICATIONS



Machine Control Panel uses off-the-shelf toggle and marine duty switches and features universal icons which simplifies training.



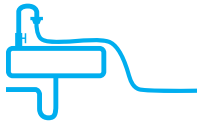
Vacuum Muffler allows machine to consistently achieve as low as 67 dB while thoroughly drying the floor.



EDGE Orbital Scrubhead delivers premier chemical-free floor stripping while reducing water consumption by up to 70%.



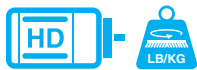
Squeegee Adjustments made simple with quick change squeegee latch allows toolless maintenance and 4-sided squeegee blade.



Fill System features a retractable hose for easy filling on standard sink-faucets and a stainless screen for bucket filling.



Oversized Vacuum Screen Shut-Off quickly arrests overflow issues to protect the Vacuum Motor.



High Performance motors and down pressure provides an unmatched standard of cleaning.



- School Systems
- Sports Arenas
- Retail
- Food & Beverage
- Healthcare
- Grocery Stores
- Automotive
- Airports



TANK TIPS FOR ACCESS

- 1 Vacuum Screen Cleaning
- 2 Service Batteries
- 3 Solution Fill Screen
- 4 Inspect Vacuum Motor
- 5 Inline Solution Filter
- 6 Drain Saver

Reduce costly repairs associated with clogged floor drains with our Drain Saver Basket.



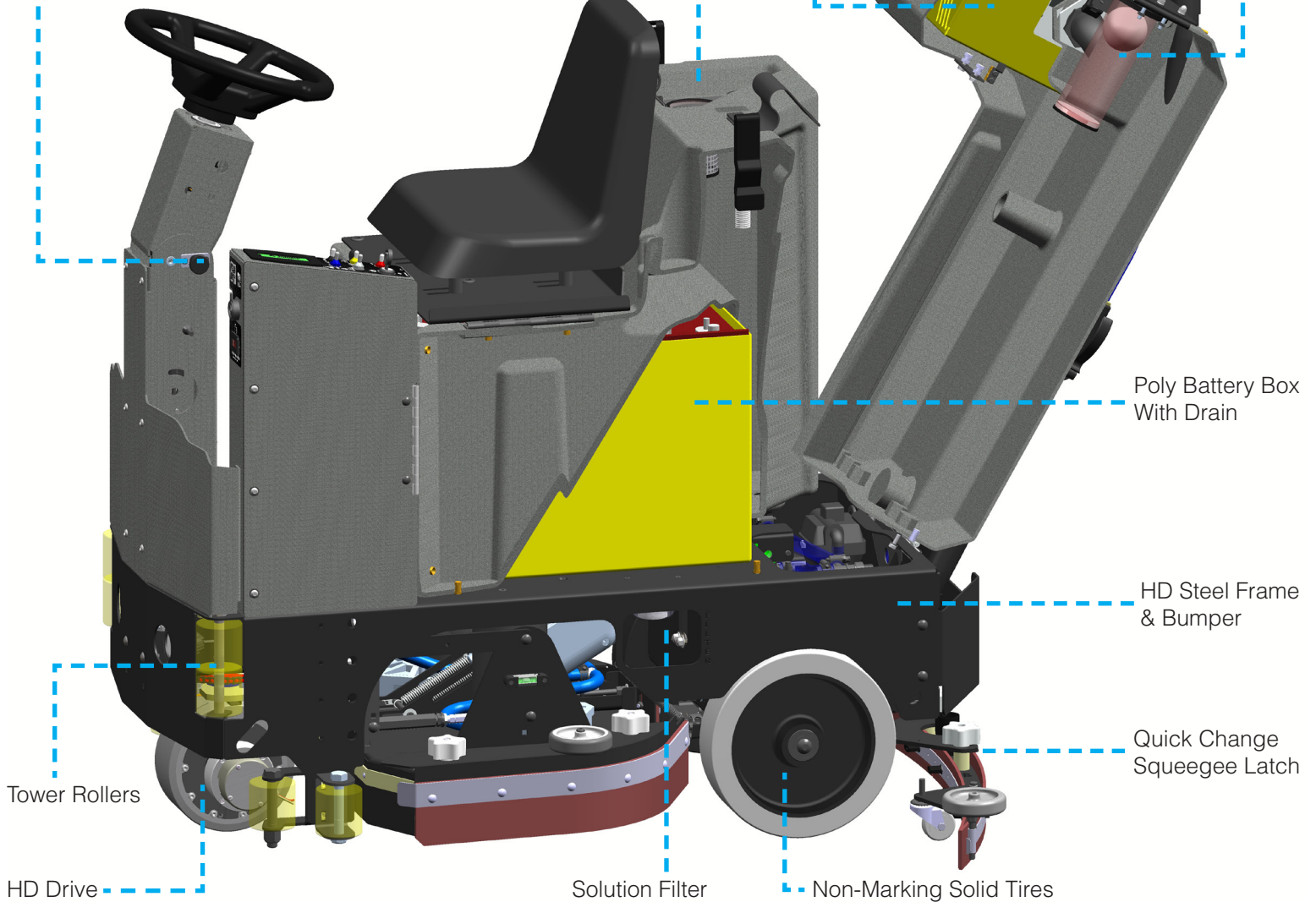
VIEW INSIDE

Adjustable Steering

Drain Saver Basket

Oversized Vacuum Screen

Solution Fill Points



Poly Battery Box With Drain

HD Steel Frame & Bumper

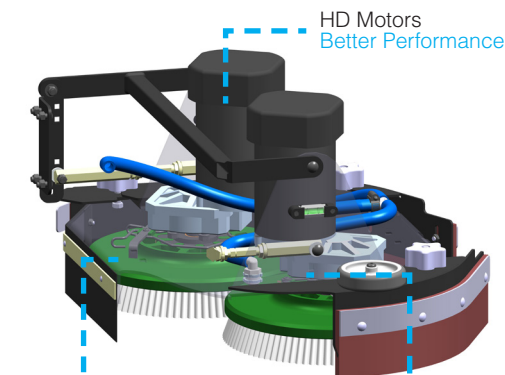
Quick Change Squeegee Latch

Tower Rollers

HD Drive

Solution Filter

Non-Marking Solid Tires



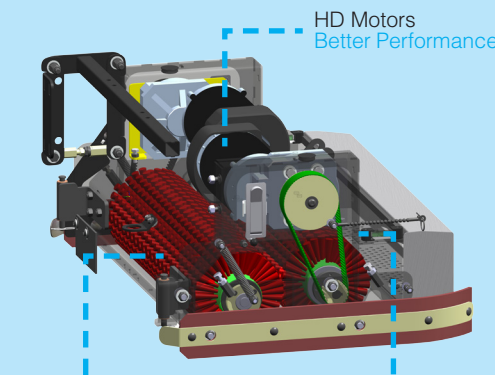
HD Motors
Better Performance

Thick Steel Design
1/4" Thick for Durability

E-Coated Deck Design
Corrosion Resistance

Disk Benefits

- Brush / Pad Selection
- Lowest Maintenance Cost
- Gimbaled Drivers Improves Cleaning On Irregular Floors
- Brushes Individually Driven For Unmatched Performance



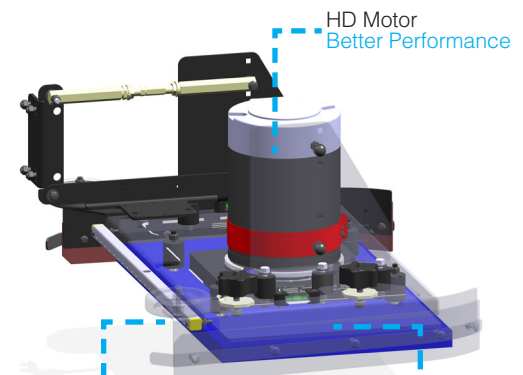
HD Motors
Better Performance

Oversized Brushes (6")
Longer Life

Thick Steel Design
1/4" Thick for Durability

Cylindrical Benefits

- Eliminates Dust Mopping
- Scrub & Sweep Simultaneously
- Superior Tile & Grout Cleaning



HD Motor
Better Performance

Oversized Isolators (5/16")
Long Life - 1,000 Hours

Solid Aluminum Plate
1/4" Thick for Durability

EDGE Benefits

- Chemical Free Stripping
- Reduce Slip & Fall Potential
- Earn LEED Credits
- 70% Reduction In Water Usage
- Consistent Results - No Swirl Marks
- Wet Screens Wood Gym Floors

CALL FOR A DEMONSTRATION



☎ 800-450-9824

🌐 (+001)-262-681-6470

🌐 www.tomcatequip.com

Since 1986, our family owned company has been designing, building and supporting the best in floor maintenance equipment. Our **TOMCAT** brand services the world with unsurpassed commercial cleaning equipment, continually exceeding expectations and setting the industry bar that much higher.

We've built our reputation by providing the highest value machines and providing local support via 425 distributors in over 42 different countries.

AUTHORIZED DISTRIBUTOR

BODY CONSTRUCTION / DIMENSIONS

Tank Material:	Poly 3/8" (9.5 mm)
Chassis Construction:	1/8" Steel (3.2 mm) Powder Coated Steel
Front Wheel (Diameter x Width):	8" x 3" (20.3 x 7.6 cm) - Non-Marking Solid Grey
Rear Wheels (Diameter x Width):	(2x) 12" x 3" ([2x] 30.5 x 7.6 cm) - Non-Marking Solid Grey
Size (L x W x H):	48" x 24" x 55" (121.9 x 60.9 x 139.7 cm)
Weight (w/o Batteries):	525 - 575 lbs (238 - 261 kg)
Weight (w/ 175 ah Batteries):	825 - 875 lbs (374 - 397 kg)

BRUSH / PAD SYSTEM

Disk Dimensions:	26" - (2x) 13" Diameter (66 - [2x] 33 cm) 28" - (2x) 14" Diameter (71.1 - [2x] 35.6 cm)
Disk Motor:	(2x) 0.75 hp ([2x] 559 watts)
Disk Brush Speed:	300 rpm
Cylindrical Dimensions:	25" - (2x) 6" x 23" (63.5 - [2x] 15.2 x 58.4 cm) <small>6" Diameter Brush</small>
Cylindrical Motor:	(2x) 0.75 hp / 350 rpm ([2x] 559 watts)
Cylindrical Brush Speed:	750 rpm
EDGE Dimensions:	24" x 14" (60.9 x 35.6 cm) 28" x 14" (71.1 x 35.6 cm)
EDGE Motor:	1.2 hp / 2700 rpm (894 watts)
Brush Pressure Settings:	(5) with Auto Adjust
Brush Down Pressure:	Up to 150 lbs (68 kg) / 500 lbs (227 kg) Actuator Rating

POWER SYSTEM

System Voltage:	36 VDC
Standard Battery:	175 ah WET
Optional Battery:	225 ah WET / 215 ah AGM
Run Time:	Up to 4.0 Hours**
<small>**Run times are based on continuous scrubbing run times.</small>	
Charger:	120VAC / 60 Hz Input - 36VDC / 25 amp Output

DRIVE SYSTEM:

Power:	0.75hp - All Gear / Sealed (559 watts)
Forward Speed:	0 - 290 ft/min / 0 - 3.3 mph (0 - 88 m/min / 0 - 5 km/h)
Scrubbing Speed:	0 - 229 ft/min / 0 - 2.6 mph (0 - 70 m/min / 0 - 4 km/h)
Reverse Speed:	0 - 202 ft/min / 0 - 2.3 mph (0 - 62 m/min / 0 - 4 km/h)

SOLUTION / RECOVERY SYSTEMS

Solution Tank Capacity:	22 Gallons (83.3 liters) - w/ Graduated Site Tube
Solution Flow / Filter:	0 - 0.7 GPM / Stainless Inline (0 - 2.6 LPM)
Recovery Tank Capacity:	23 Gallons (87.1 liters) - 2" (5.08 cm) diameter Drain Hose
Demisting Chamber:	1.25 Gallons (4.7 liters)
Drain Saver:	30 cubic inches (492 cubic cm)
Vacuum Power:	1.0 hp / 2 Stage (740 watts)
Vacuum Specs (Water Lift / Airflow):	68" / 72 cfm (172.7 cm / 2 cm/m)
Squeegee:	Curved w/ 4-sided Rear Blade & Quick Change Latch 26D, 25C, 24E - 36" (91.4 cm) 28D, 28E - 39" (99.1 cm)

GENERAL

Cleaning Width:	26" & 28" - Disk (66 & 71.1 cm) 25" - Cylindrical (63.5 cm) 24" & 28" - EDGE (60.9 & 71.1 cm)
Decibels:	67 dB
Productivity - Theoretical:	Up to 40,000 sqft (3,716 sqm)***
<small>***Productivity is based off of ISSA 2010 Cleaning Times</small>	
Productivity - Practical:	Up to 18,519 sqft (1,721 sqm)***
<small>***Productivity is based off of ISSA 2010 Cleaning Times</small>	



Manufactured By
R.P.S. Corporation
1711 South Street
Racine, Wisconsin 53404 (USA)
Phone: (800) 450-9824
International: (+001) 262-681-6470
www.tomcatequip.com