

# TOMCAT<sup>®</sup>

# HERO

## 28" - 34" Scrubbers



**HANDMADE IN  
USA**

RIDER SCRUBBERS      SWEEPERS      BURNISHERS      CARPET CARE      FLOOR MACHINES



# KEY FEATURES

# APPLICATIONS



**Machine Control Panel** uses off-the-shelf toggle and marine duty switches and features universal icons which simplifies training.



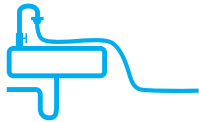
**Vacuum Muffler** allows machine to consistently achieve as low as 62 dB while thoroughly drying the floor.



**EDGE Orbital Scrubhead** delivers premier chemical-free floor stripping while reducing water consumption by up to 70%.



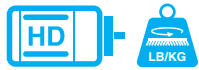
**Squeegee Adjustments made simple** with quick change squeegee latch allows toolless maintenance and 4-sided squeegee blade.



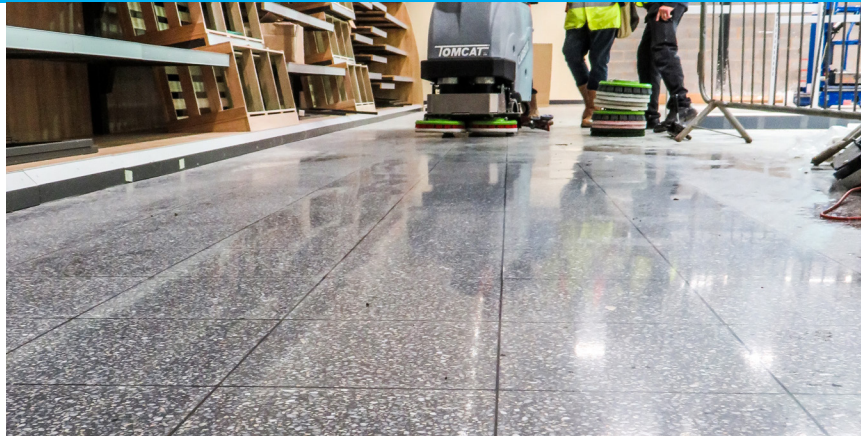
**Front Fill System** features a retractable hose for easy filling on standard sink-faucets and a stainless screen for bucket filling.



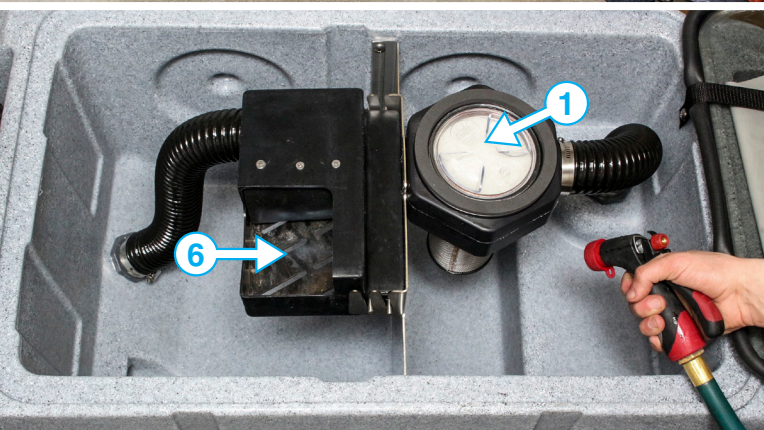
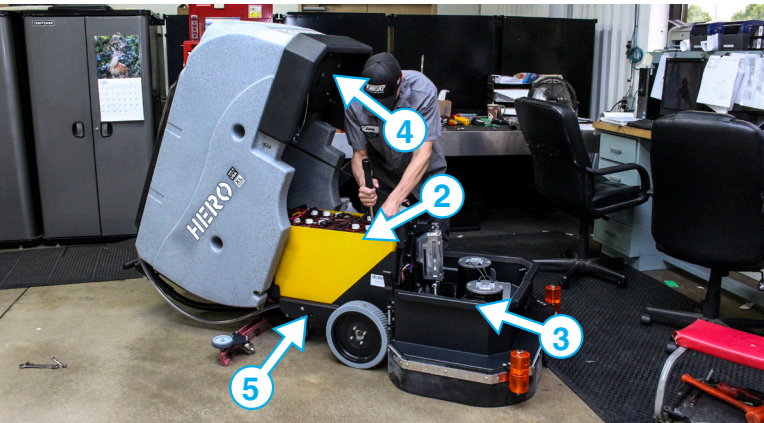
**Oversized Vacuum Screen Shut-Off** quickly arrests overflow issues to protect the Vacuum Motor.



**High Performance motors and down pressure** provides an unmatched standard of cleaning.



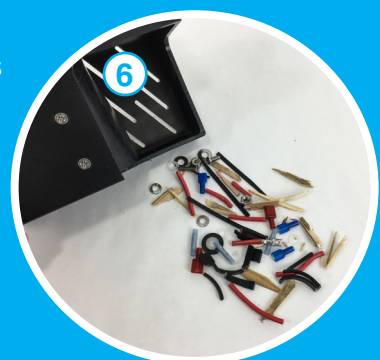
- School Systems
- Sports Arenas
- Retail
- Food & Beverage
- Healthcare
- Grocery Stores
- Automotive
- Airports



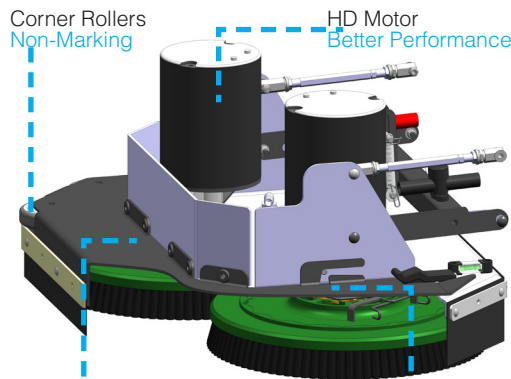
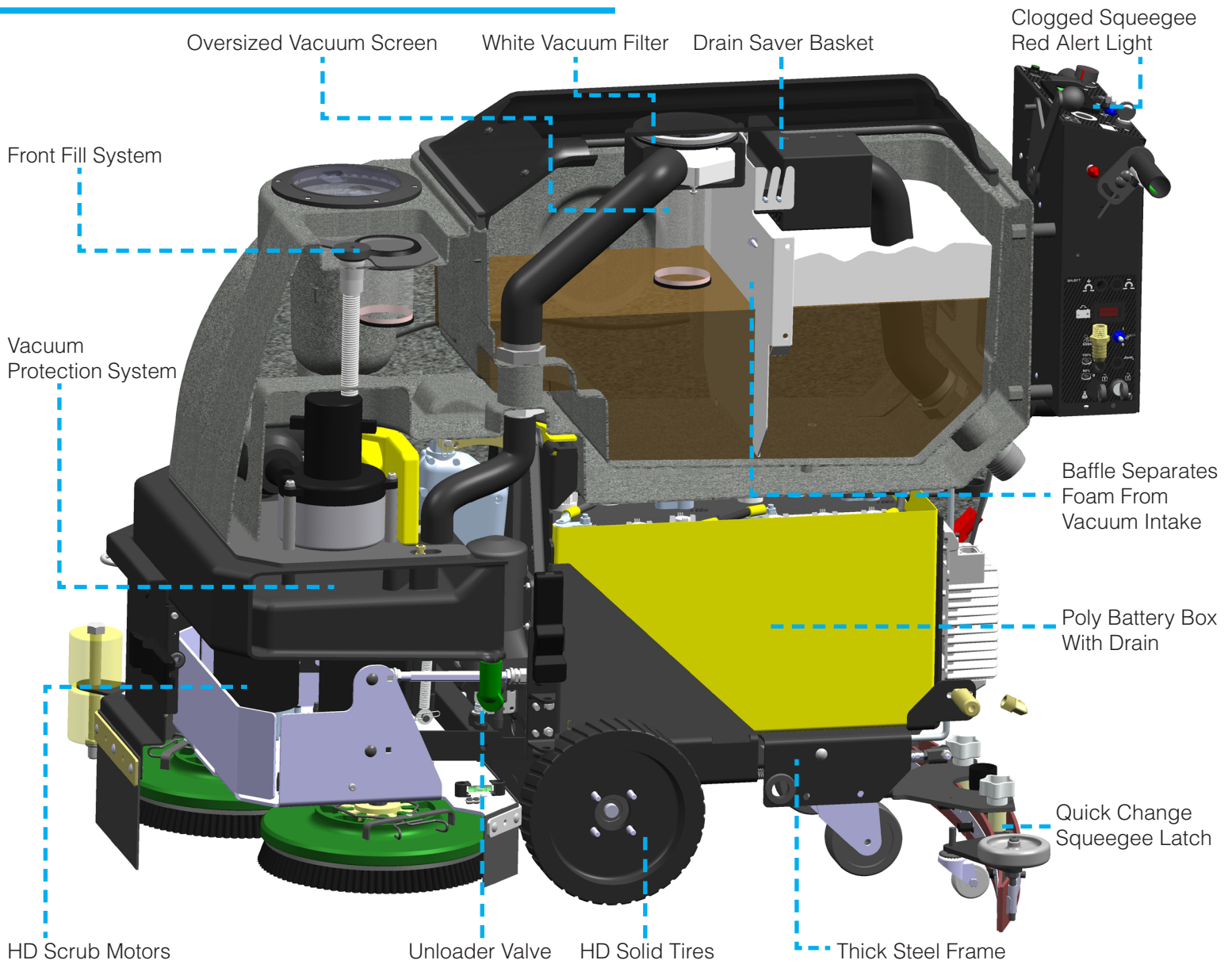
## TANKS TIP FOR ACCESS

- 1 Vacuum Screen & Filter Cleaning
- 2 Service Batteries
- 3 Inspect Scrub Motors
- 4 Inspect Vacuum Motor
- 5 In-line Solution Filter
- 6 Drain Saver

Reduce costly repairs associated with clogged floor drains with our Drain Saver Basket.



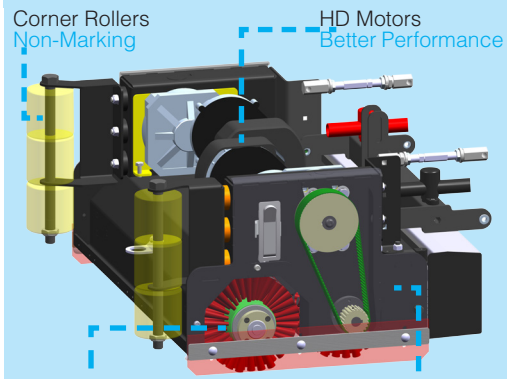
# VIEW INSIDE



Corner Rollers Non-Marking  
 HD Motor Better Performance  
 Removable Shroud Protects Deck  
 Thick Steel Design 1/4" Thick for Durability

## Disk Benefits

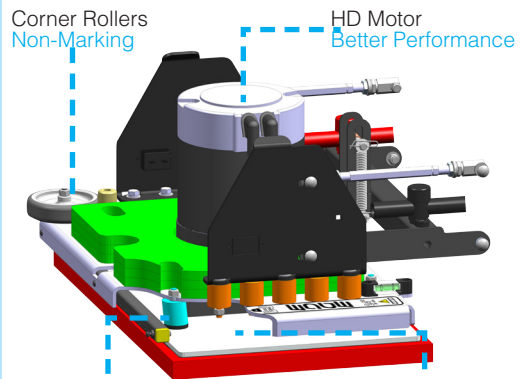
- Brush / Pad Selection
- Lowest Maintenance Cost
- Gimballed Drivers Improves Cleaning On Irregular Floors
- Brushes Individually Driven For Unmatched Performance



Corner Rollers Non-Marking  
 HD Motors Better Performance  
 Oversized Brushes (6") Longer Life  
 Thick Steel Design 1/4" Thick for Durability

## Cylindrical Benefits

- Eliminates Dust Mopping
- Scrub & Sweep Simultaneously
- Superior Tile & Grout Cleaning



Corner Rollers Non-Marking  
 HD Motor Better Performance  
 Oversized Isolators (5/16") Long Life - 1,000 Hours  
 Solid Aluminum Plate 1/4" Thick for Durability

## EDGE Benefits

- Chemical Free Stripping
- Reduce Slip & Fall Potential
- Earn LEED Credits
- 70% Reduction in Water Usage
- Consistent Results - No Swirl Marks
- Wet screens Wood Gym floors

# CALL FOR A DEMONSTRATION



☎ 800-450-9824

🌐 (+001)-262-681-6470

🌐 www.tomcatequip.com

Since 1986, our family owned company has been designing, building and supporting the best in floor maintenance equipment. Our **TOMCAT** brand services the world with unsurpassed commercial cleaning equipment, continually exceeding expectations and setting the industry bar that much higher.

We've built our reputation by providing the highest value machines and providing local support via 425 distributors in over 42 different countries.

**AUTHORIZED DISTRIBUTOR**

## BODY CONSTRUCTION / DIMENSIONS

Tank Material:	Poly 3/8" (9.5 mm)
Chassis Construction:	3/16" Steel (4.8 mm) Powder Coated Steel
Front Wheels (Diameter x Width):	(2x) 12" x 2.75" ([2x] 30.5 x 7 cm) - Non-Marking Solid Grey
Rear Casters (Diameter x Width):	(2x) 5" x 2" ([2x] 12.7 x 5.1 cm) - Non-Marking Grey
Size (L x W x H):	55" x 26" x 40" (139.7 x 66 x 101.6 cm)
Weight (w/o Batteries):	441 - 481 lbs (200 - 218 kg)
Weight (w/ 315 ah Batteries):	775 - 825 lbs (352 - 374 kg)

## BRUSH / PAD SYSTEM

Disk Dimensions:	30" - (2x) 15" Diameter (76.2 - [2x] 38.1 cm)
<small>Includes Jaws with Rollers for Wall Protection</small>	34" - (2x) 17" Diameter (86.4 - [2x] 43.2 cm)
Disk Motor:	(2x) 1.0 hp ([2x] 746 watts)
Disk Brush Speed:	350 rpm
Cylindrical Dimensions:	29" - (2x) 6" x 27" (73.7 - [2x] 15.2 x 68.6 cm)
<small>6" Diameter Brush</small>	33" - (2x) 6" x 31" (83.8 - [2x] 15.2 x 78.7 cm)
Cylindrical Motor:	(2x) 1.0 hp / 350 rpm ([2x] 746 watts)
Cylindrical Brush Speed:	750 rpm
EDGE Dimensions:	28" x 14" (71.1 x 35.6 cm)
	32" x 14" (81.3 x 35.6 cm)
EDGE Motor:	1.0 hp / 2500 rpm (746 watts)
EDGE Optional HD Motor:	1.2 hp / 2900 rpm (894 watts)
Brush Pressure Settings:	(5) with Auto Adjust
Brush Down Pressure:	Up to 185 lbs (84 kg) / 500 lbs (227 kg) Actuator Rating

## POWER SYSTEM

System Voltage:	24 VDC
Standard Battery:	315 ah WET
Optional Battery:	360 ah WET / 335 ah AGM*
<small>*Includes Onboard Charger</small>	
Run Time:	Up to 5.0 Hours**
<small>**Run times are based on continuous scrubbing run times.</small>	
Charger:	120VAC / 60 Hz Input - 24VDC / 30 amp Output

## DRIVE SYSTEM

Power:	0.75hp - All Gear / Sealed (559 watts)
Forward Speed:	0 - 290 ft/min / 0 - 3.3 mph (0 - 88 m/min / 0 - 5 km/h)
Scrubbing Speed:	0 - 229 ft/min / 0 - 2.6 mph (0 - 70 m/min / 0 - 4 km/h)
Reverse Speed:	0 - 202 ft/min / 0 - 2.3 mph (0 - 62 m/min / 0 - 4 km/h)

## SOLUTION / RECOVERY SYSTEMS

XL Tank Solution Capacity:	35 Gallons (132.5 liters) - w/ Graduated Site Tube
Solution Flow / Filter:	0 - 1.0 GPM / Stainless Inline (0 - 4 LPM)
XL Tank Recovery Capacity:	37 Gallons (140.1 liters) - 1.5" diameter Drain Hose
Optional Small Tank Capacity:	30 Gal (113.6 liters) Solution / 32 Gal (121.1 liters) Recovery
Demisting Chamber:	1.25 Gallons (4.7 liters)
Drain Saver:	30 cubic inches (492 cubic cm)
Vacuum Power:	0.8 hp / 3 Stage (640 watts)
Vacuum Specs (Water Lift / Airflow):	68" / 72 cfm (173 cm / 2 cm/m)
Squeegee:	Curved w/ 4-sided Rear Blade & Quick Change Latch All Sizes - 42" (106.7 cm) Optional - 33", 36", & 39" (83.8, 91.4, 99.1 cm)

## GENERAL

Cleaning Width:	30" & 34" - Disk (76.2 & 86.4 cm) 29" & 33" - Cylindrical (73.7, 83.8 cm) 28" & 32" - Disk (71.1 & 81.3 cm)
Productivity - Theoretical:	Up to 31,915 sqft (2,965 sqm)***
<small>***Productivity is based off of ISSA 2010 Cleaning Times</small>	
Productivity - Practical:	Up to 14,851 sqft (1,380 sqm)***
<small>***Productivity is based off of ISSA 2010 Cleaning Times</small>	



**Manufactured By**  
R.P.S. Corporation  
1711 South Street  
Racine, Wisconsin 53404 (USA)  
Phone: (800) 450-9824  
International: (+001) 262-681-6470  
www.tomcatequip.com  
TC-HERO-BROCHURE (17.087)